

# JVC

# SCHEMATIC DIAGRAMS

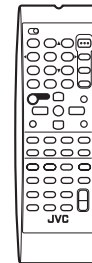
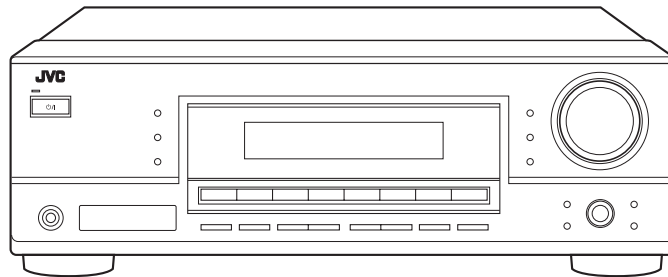
## AUDIO/VIDEO CONTROL RECEIVER

# RX-6042S

CD-ROM No.SML200403

Area suffix

E ----- Continental Europe  
EN ----- Northern Europe  
EV ----- Eastern Europe



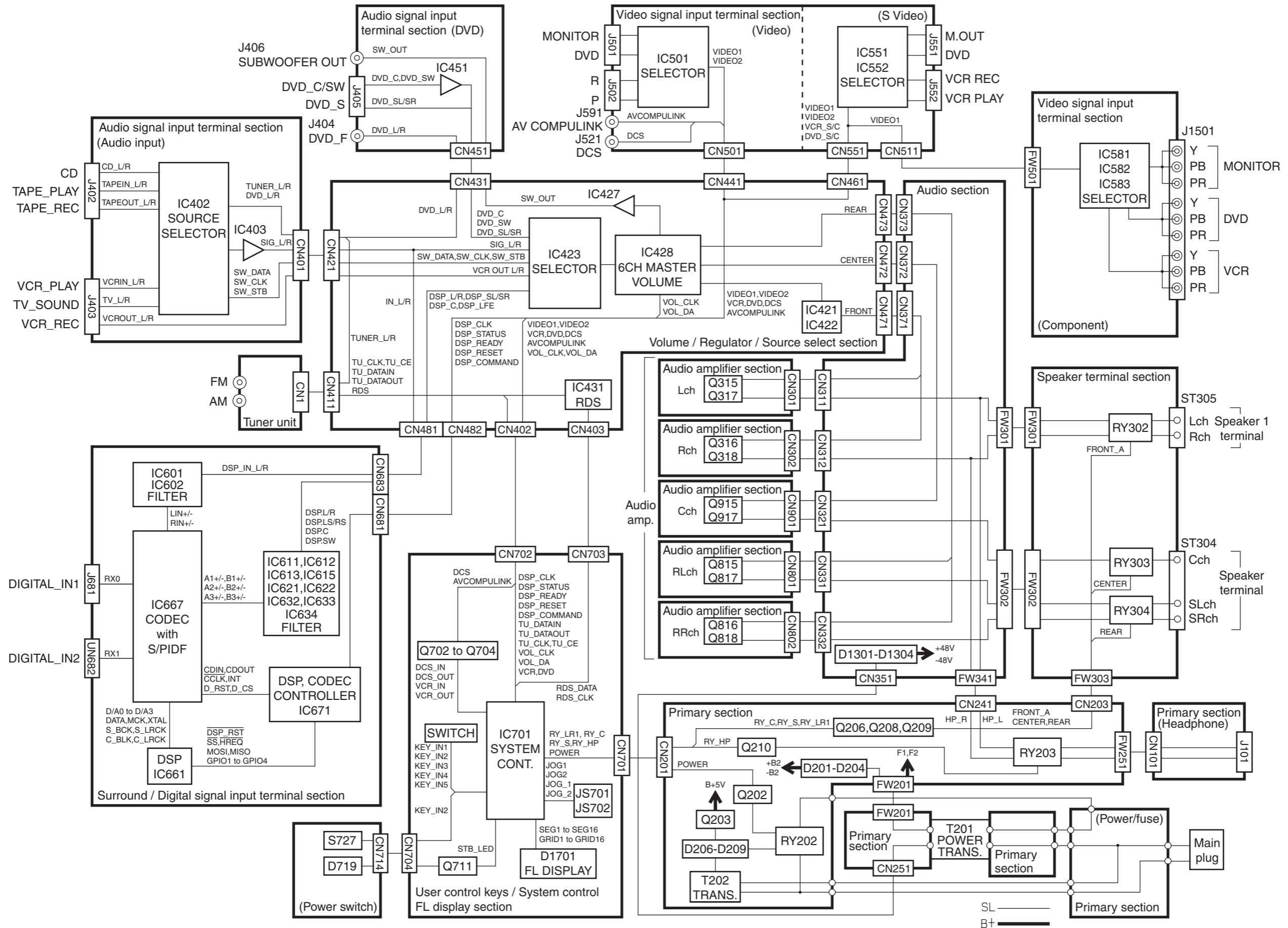
### Contents

Block diagram .....	2-1
Standard schematic diagrams .....	2-2
Printed circuit boards .....	2-10 to 13

In regard with component parts appearing on the silk-screen printed side (parts side) of the PWB diagrams, the parts that are printed over with black such as the resistor (■), diode (⬤) and ICP (●) or identified by the "▲" mark nearby are critical for safety.

(This regulation does not correspond to J and C version.)

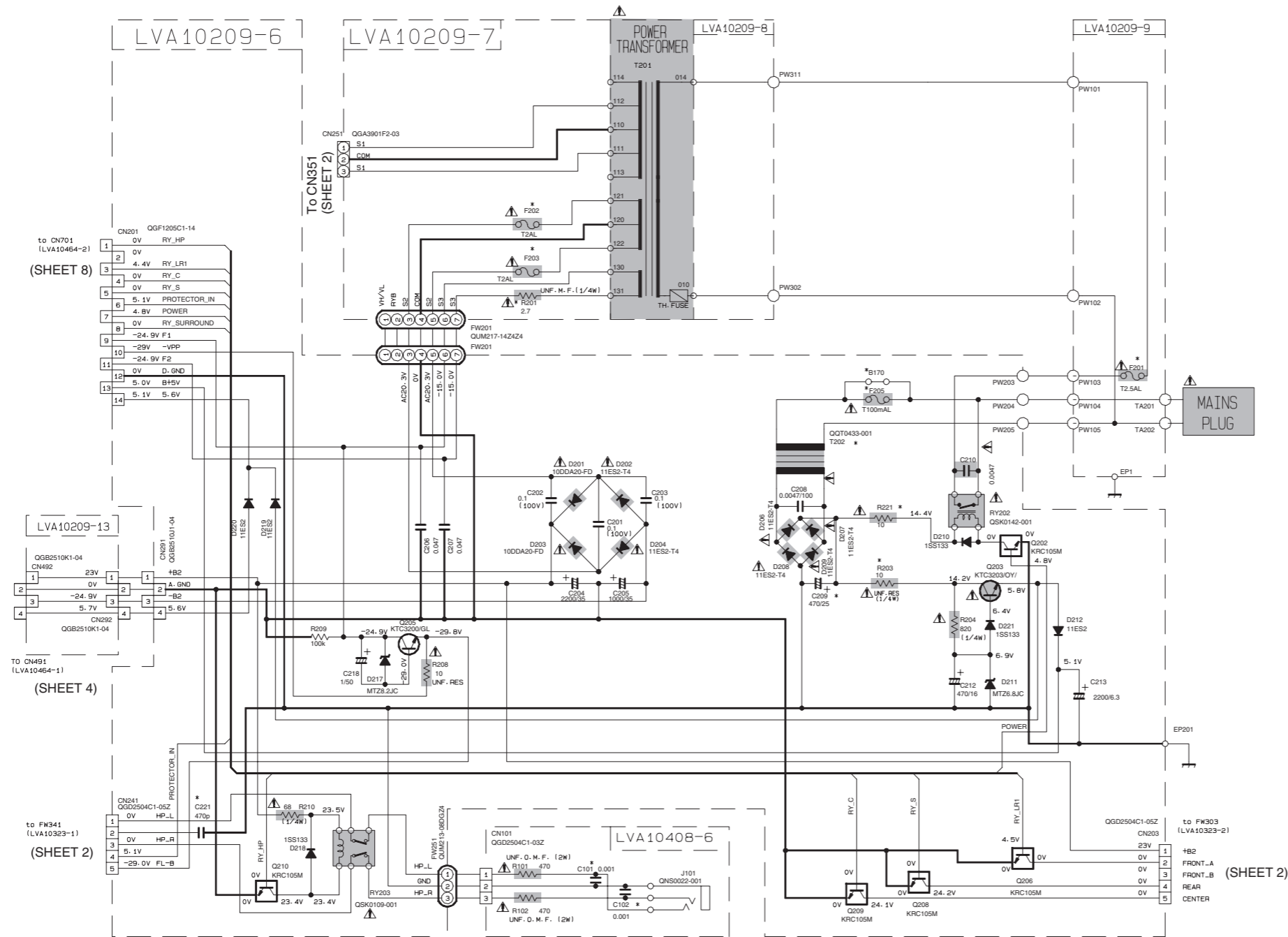
# Block diagram



# Standard schematic diagrams

## Primary section

E/EN/EV



TO CN701 (LVA10464-2) (SHEET 8)

LVA10209-13

TO CN491 (LVA10464-1) (SHEET 4)

TO FW341 (LVA10323-1) (SHEET 2)

MAINS PLUG

TO FW303 (LVA10323-2) (SHEET 2)

J/C	E/EN/EV/A	US
F201	GWFS142-280-JB (1.5A-250V)	GWFS142-280-JB (1.5A-250V)
F202, F203	GWFS112-280-JB (1.5A-250V)	GWFS142-280-JB (1.5A-250V)
F204	NONE	GWFS142-280-JB (1.5A-250V)
F205	NONE	GWFS142-280-JB (1.5A-250V)
B170	USE	NONE
VS201	NONE	USE

J/C	E/EN/EV	US	A
R1	USE	NONE	NONE
R11-R12	USE	NONE	USE
R201-R208	NONE	USE	USE
R211-R145	USE	USE	NONE
R202	10	10	3.9
R203	10	10	3.9
R204	470/25	470/25	470/25
R205	2.7	2.7	5.6
C101	330P	0.001	330P
C102	330P	0.001	330P
C201	NONE	USE	NONE

**VERSION CODES**

J : U. S. A.  
 C : CANADA  
 E : CONTINENTAL EUROPE  
 EN : NORTHERN EUROPE  
 EV : EASTERN EUROPE  
 US : SINGAPORE  
 A : AUSTRALIA

SHEET NUMBER	CIRCUIT DISCRPTION
1	PRIMARY (J/C/E/EN/EV)
2	AUDIO / SPEAKER TERMINAL
3	AUDIO AMP
4	VOLUME / REGULATOR / SOURCE SELECT IC
5	AUDIO SIGNAL INPUT TERMINAL / SOURCE SELECT IC
6	VIDEO SIGNAL INPUT TERMINAL
7	SURROUND IC / DIGITAL SIGNAL INPUT TERMINAL
8	USER CONTROL KEYS / SYSTEMCONTROL LST / FL DISPLAY

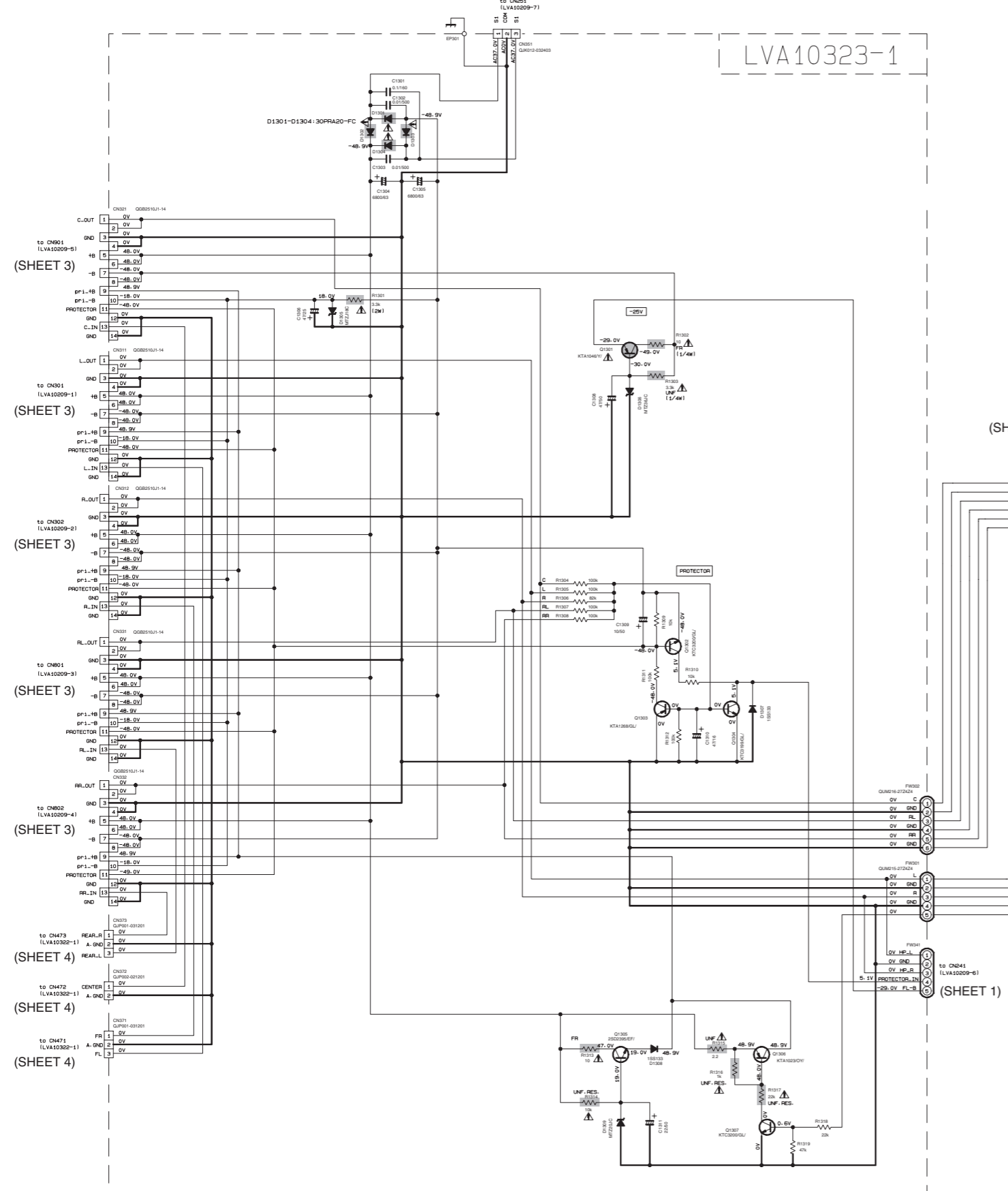
▲ Parts are safety assurance parts. When replacing those parts make sure to use the specified one.

Audio / Speaker terminal section

(SHEET 1)

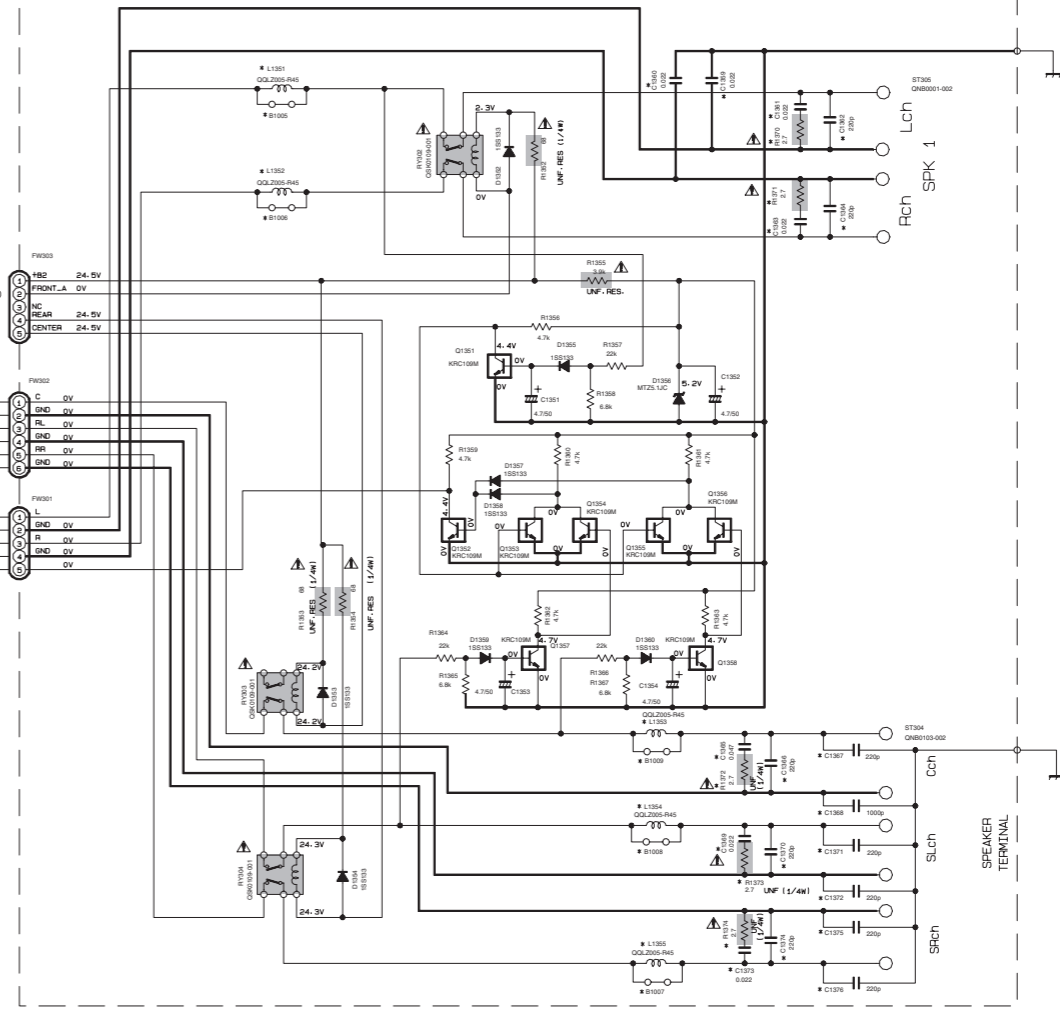
LVA10323-1

LVA10323-2



(SHEET 1)

(SHEET 1)



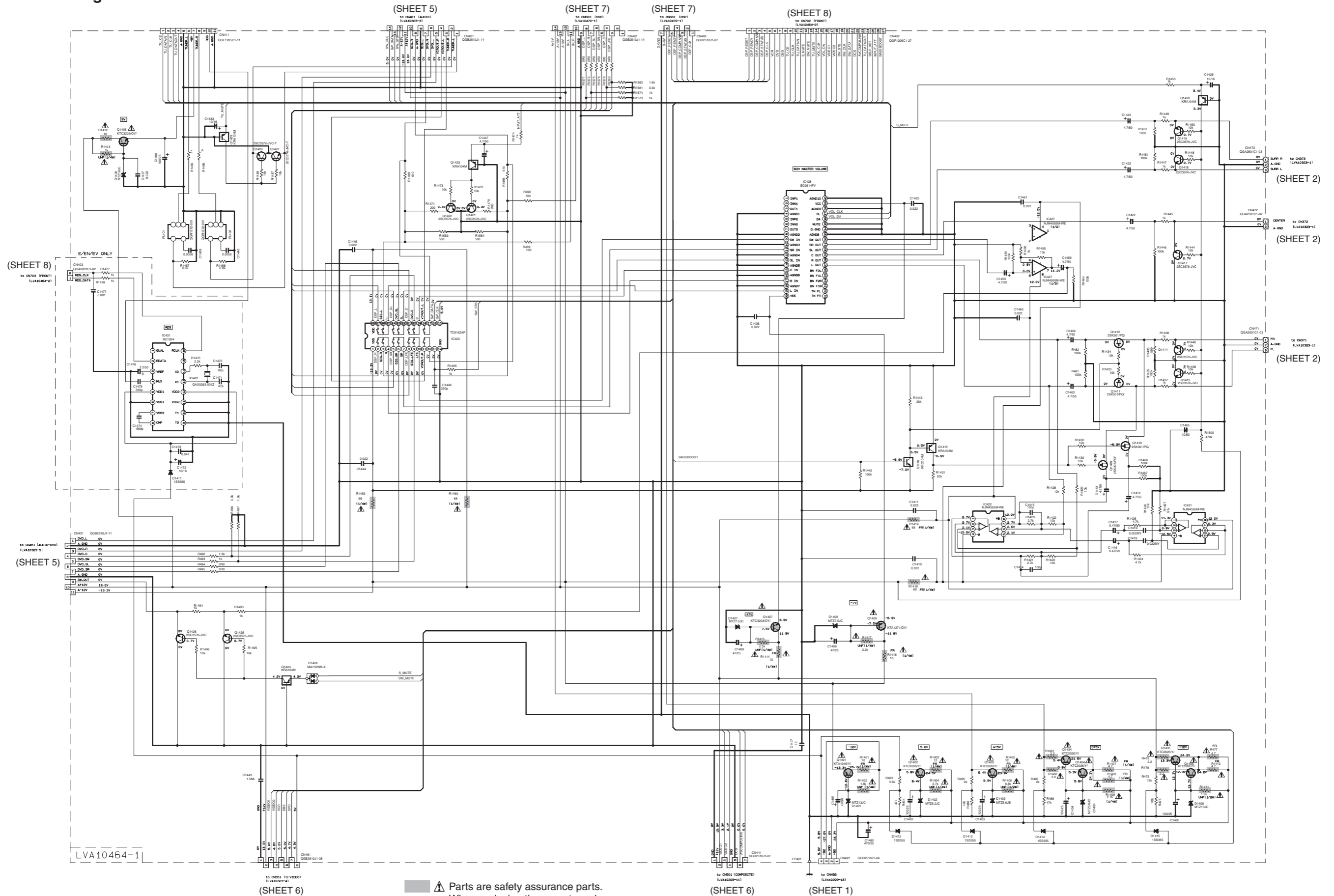
MARK LIST

REF	QTY	U/C	B/E/DN/EV	US/UT/AJ	A/P/A
C1359	NONE	USE	USE		
C1360	NONE	USE	USE		
C1361	NONE	USE	USE		
C1362	NONE	USE	USE		
C1363	NONE	USE	USE		
C1364	NONE	USE	USE		
C1365	NONE	USE	USE		
C1366	NONE	USE	USE		
C1367	NONE	USE	USE		
C1368	NONE	USE	USE		
C1369	NONE	USE	USE		
C1370	NONE	USE	USE		
C1371	NONE	USE	USE		
C1372	NONE	USE	USE		
C1373	NONE	USE	USE		
C1374	NONE	USE	USE		
C1375	NONE	USE	USE		
C1376	NONE	USE	USE		
C1377	NONE	USE	USE		
C1378	NONE	USE	USE		
R1379	NONE	USE	USE		
R1371	NONE	USE	USE		
R1372	NONE	USE	USE		
R1373	NONE	USE	USE		
R1374	NONE	USE	USE		
R1375	NONE	USE	USE		
R1376	NONE	USE	USE		
R1377	NONE	USE	USE		
R1378	NONE	USE	USE		
R1379	NONE	USE	USE		
L1351	NONE	USE	USE		
L1352	NONE	USE	USE		
L1353	NONE	USE	USE		
L1354	NONE	USE	USE		
L1355	NONE	USE	USE		
B1005	USE	NONE	NONE		
B1006	USE	NONE	NONE		
B1007	USE	NONE	NONE		
B1008	USE	NONE	NONE		
B1009	USE	NONE	NONE		

Parts are safety assurance parts. When replacing those parts make sure to use the specified one.

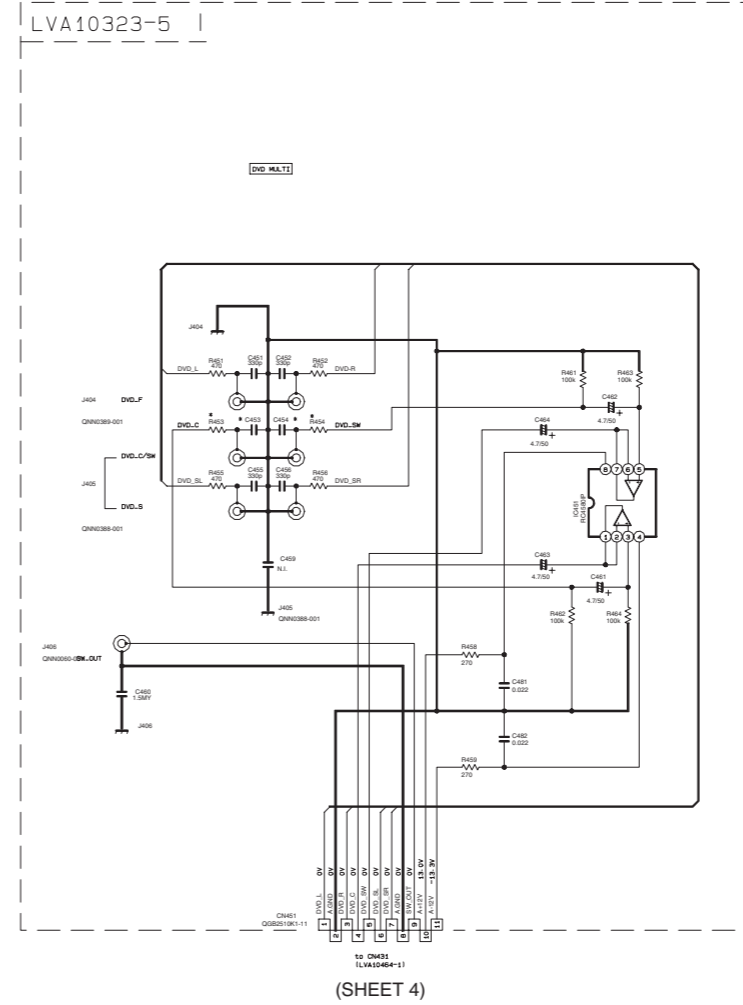
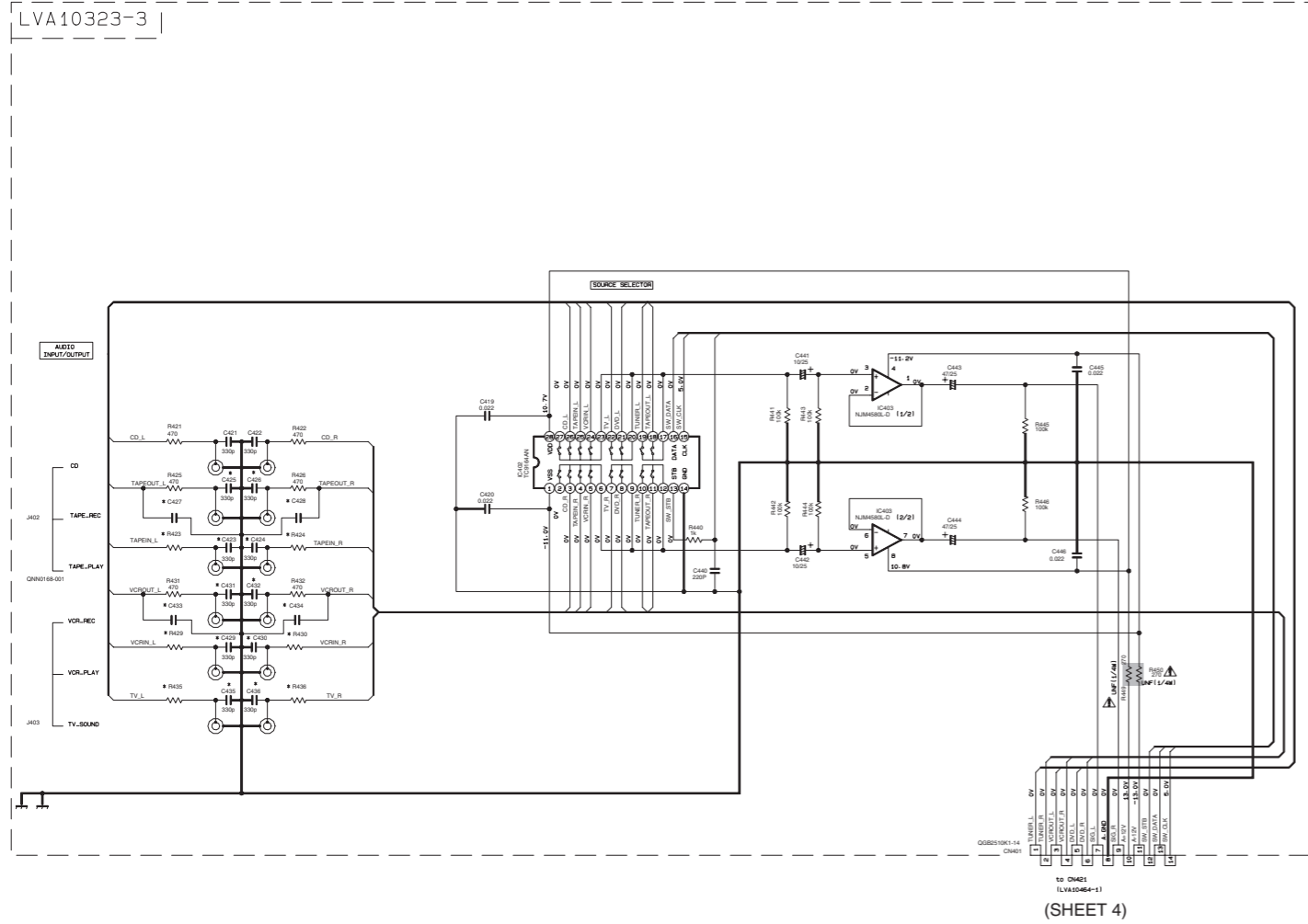


Volume / Regulator / Source select section



▲ Parts are safety assurance parts.  
When replacing those parts make  
sure to use the specified one.

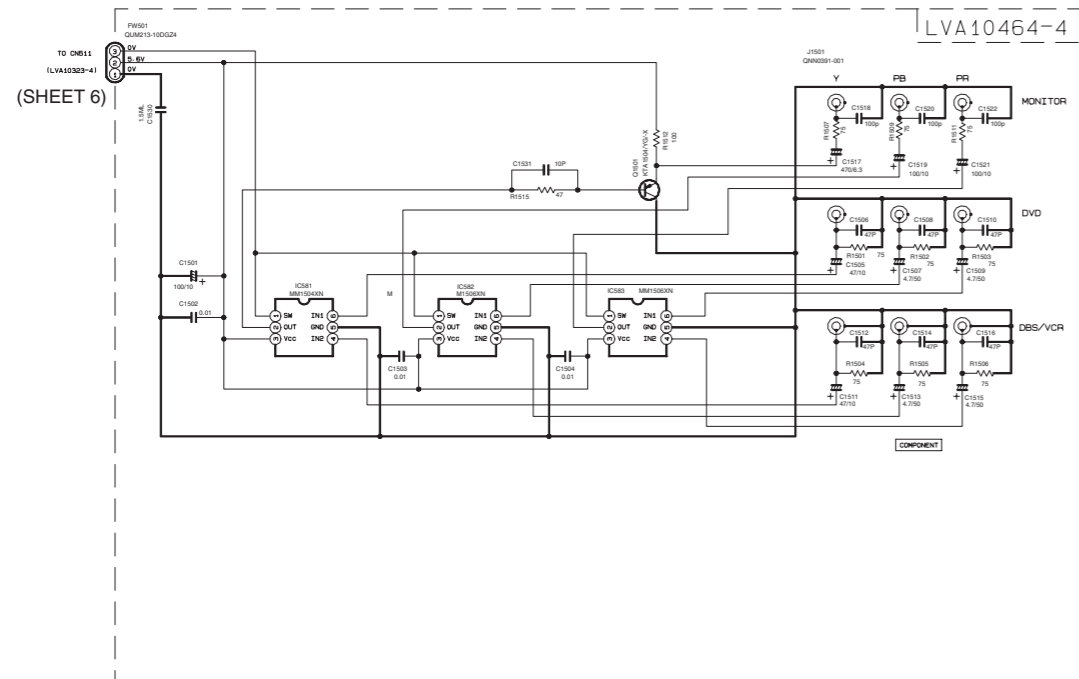
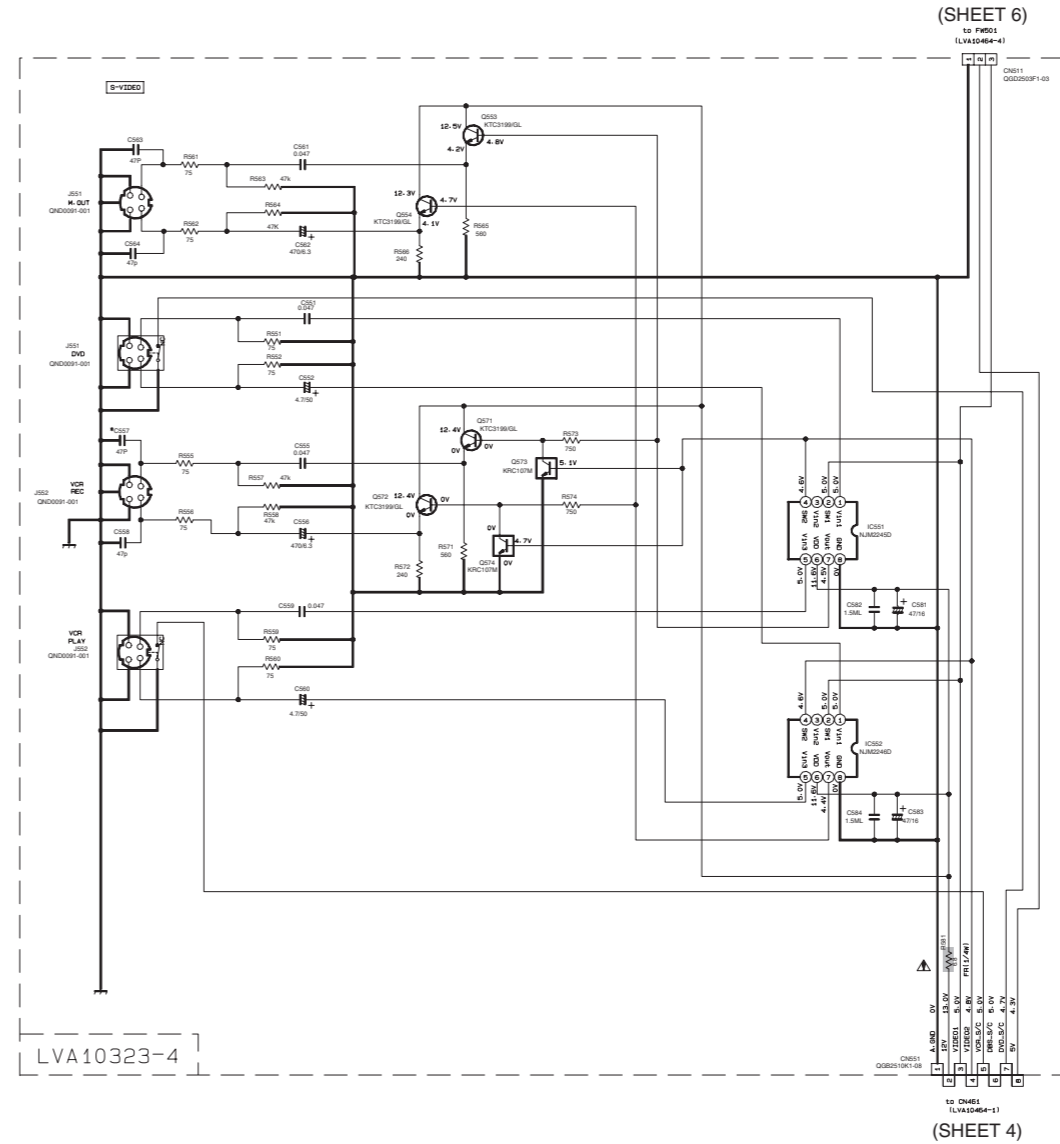
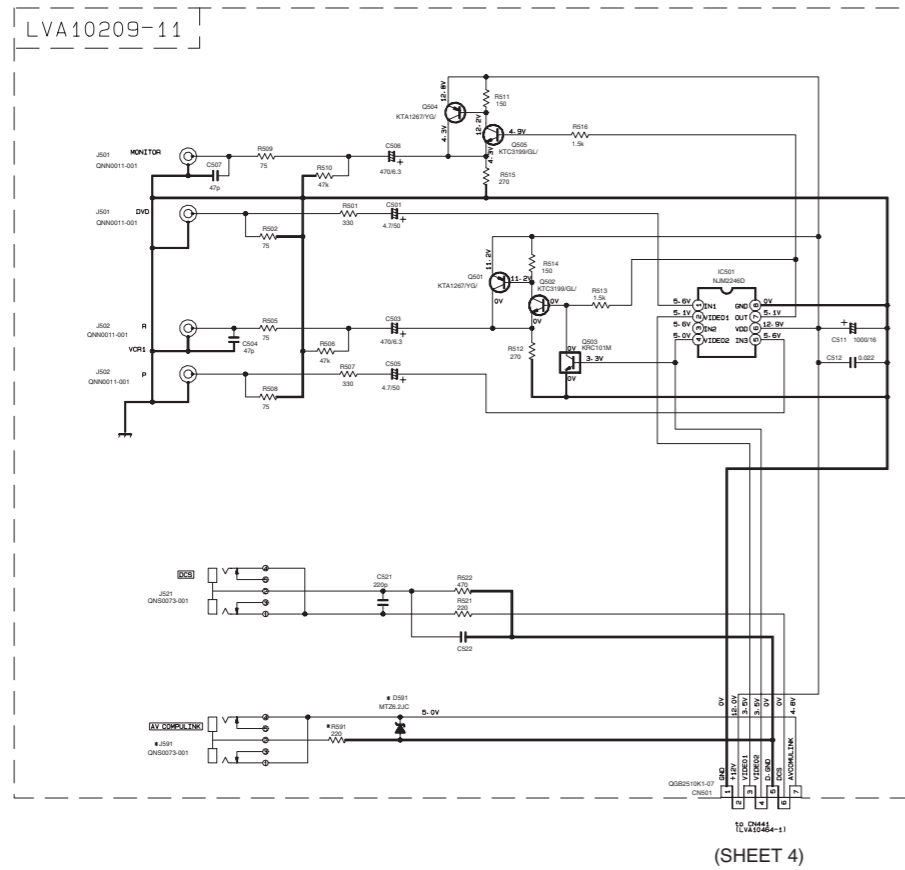
■ Audio signal input terminal section



MARK LIST	μC	US/UT/UL/UP/VA	B/E/EN/EV
C423	330P	330P	NONE
C424	330P	330P	NONE
C425	330P	330P	NONE
C426	330P	330P	NONE
C427	200P	200P	680P
C428	330P	330P	680P
C429	330P	330P	NONE
C430	330P	330P	NONE
C431	330P	330P	NONE
C432	330P	330P	NONE
C433	200P	200P	680P
C434	200P	200P	680P
C435	330P	330P	NONE
C436	330P	330P	NONE
R423	470	470	2.2K
R424	470	470	2.2K
R429	470	470	1K
R430	470	470	1K
R435	470	470	1K
R436	470	470	1K
R437			
R438			
R439			
R440			
R441			
R442			
R443			
R444			
R445			
R446			
R447			
R448			
R449			
R450			
R451			
R452			
R453			
R454			
R455			
R456			
R457			
R458			
R459			
R460			
R461			
R462			
R463			
R464			
R465			
R466			
R467			
R468			
R469			
R470			
R471			
R472			
R473			
R474			
R475			
R476			
R477			
R478			
R479			
R480			
R481			
R482			
R483			
R484			
R485			
R486			
R487			
R488			
R489			
R490			
R491			
R492			
R493			
R494			
R495			
R496			
R497			
R498			
R499			
R500			
R501			
R502			
R503			
R504			
R505			
R506			
R507			
R508			
R509			
R510			
R511			
R512			
R513			
R514			
R515			
R516			
R517			
R518			
R519			
R520			
R521			
R522			
R523			
R524			
R525			
R526			
R527			
R528			
R529			
R530			
R531			
R532			
R533			
R534			
R535			
R536			
R537			
R538			
R539			
R540			
R541			
R542			
R543			
R544			
R545			
R546			
R547			
R548			
R549			
R550			
R551			
R552			
R553			
R554			
R555			
R556			
R557			
R558			
R559			
R560			
R561			
R562			
R563			
R564			
R565			
R566			
R567			
R568			
R569			
R570			
R571			
R572			
R573			
R574			
R575			
R576			
R577			
R578			
R579			
R580			
R581			
R582			
R583			
R584			
R585			
R586			
R587			
R588			
R589			
R590			
R591			
R592			
R593			
R594			
R595			
R596			
R597			
R598			
R599			
R600			
R601			
R602			
R603			
R604			
R605			
R606			
R607			
R608			
R609			
R610			
R611			
R612			
R613			
R614			
R615			
R616			
R617			
R618			
R619			
R620			
R621			
R622			
R623			
R624			
R625			
R626			
R627			
R628			
R629			
R630			
R631			
R632			
R633			
R634			
R635			
R636			
R637			
R638			
R639			
R640			
R641			
R642			
R643			
R644			
R645			
R646			
R647			
R648			
R649			
R650			
R651			
R652			
R653			
R654			
R655			
R656			
R657			
R658			
R659			
R660			
R661			
R662			
R663			
R664			
R665			
R666			
R667			
R668			
R669			
R670			
R671			
R672			
R673			
R674			
R675			
R676			
R677			
R678			
R679			
R680			
R681			
R682			
R683			
R684			
R685			
R686			
R687			
R688			
R689			
R690			
R691			
R692			
R693			
R694			
R695			
R696			
R697			
R698			
R699			
R700			
R701			
R702			
R703			
R704			
R705			
R706			
R707			
R708			
R709			
R710			
R711			
R712			
R713			
R714			
R715			
R716			
R717			
R718			
R719			
R720			
R721			
R722			
R723			
R724			
R725			
R726			
R727			
R728			
R729			
R730			
R731			
R732			
R733			
R734			
R735			
R736			
R737			
R738			
R739			
R740			
R741			
R742			
R743			
R744			
R745			
R746			
R747			
R748			
R749			
R750			
R751			
R752			
R753			
R754			
R755			
R756			
R757			
R758			
R759			
R760			
R761			
R762			
R763			
R764			
R765			
R766			
R767			
R768			
R769			
R770			
R771			
R772			
R773			
R774			
R775			
R776			
R777			
R778			
R779			
R780			
R781			
R782			
R783			
R784			
R785			
R786			
R787			
R788			
R789			
R790			
R791			
R792			
R793			
R794			
R795			
R796			
R797			
R798			
R799			
R800			
R801			
R802			
R803			
R804			
R805			
R806			
R807			
R808			
R809			
R810			
R811			
R812			
R813			
R814			
R815			
R816			
R817			
R818			
R819			
R820			
R821			
R822			
R823			
R824			
R825			
R826			
R827			
R828			
R829			
R830			
R831			
R832			
R833			
R834			
R835			
R836			
R837			
R838			
R839			
R840			
R841			
R842			
R843			
R844			
R845			
R846			
R847			
R848			
R849			
R850			
R851			
R852			
R853			
R854			
R855			
R856			
R857			
R858			
R859			
R860			
R861			
R862			
R863			
R864			
R865			
R866			
R867			
R868			
R869			
R870			
R871			
R872			
R873			
R874			
R875			
R876			
R877			
R878			
R879			
R880			
R881			
R882	</		



Video signal input terminal section



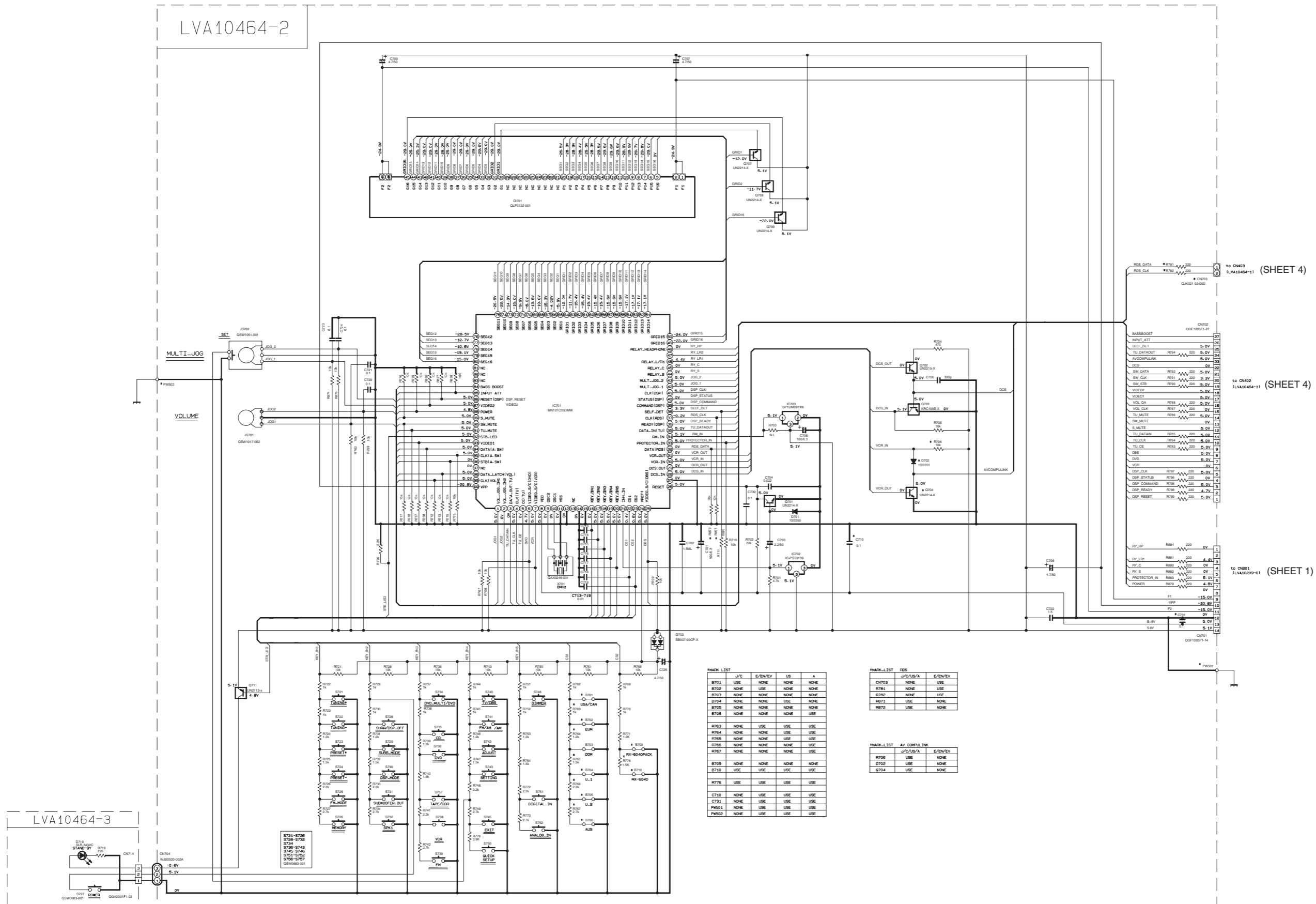
MARK LIST

MARK	J/C	US/UT/LL/UV/A	B/E/EN/EV
J581	USE	USE	NONE
J582	USE	USE	NONE
J583	USE	USE	NONE

Parts are safety assurance parts. When replacing those parts make sure to use the specified one.



■ User control keys / System control / FL display section



MARK LIST

J/C	E/EN/VEY	US	A
R701	USE	NONE	NONE
R702	NONE	USE	NONE
R703	NONE	NONE	NONE
R704	NONE	NONE	USE
R705	NONE	NONE	NONE
R706	NONE	NONE	USE
R707	NONE	NONE	NONE
R708	NONE	USE	USE
R709	NONE	NONE	USE
R710	NONE	NONE	USE
R711	NONE	NONE	USE
R712	NONE	NONE	USE
R713	NONE	NONE	USE
R714	NONE	NONE	USE
R715	NONE	NONE	USE
R716	NONE	NONE	USE
R717	NONE	NONE	USE
R718	NONE	NONE	USE
R719	NONE	NONE	USE
R720	NONE	NONE	USE
R721	NONE	NONE	USE
R722	NONE	NONE	USE
R723	NONE	NONE	USE
R724	NONE	NONE	USE
R725	NONE	NONE	USE
R726	NONE	NONE	USE
R727	NONE	NONE	USE
R728	NONE	NONE	USE
R729	NONE	NONE	USE
R730	NONE	NONE	USE
R731	NONE	NONE	USE
R732	NONE	NONE	USE
R733	NONE	NONE	USE
R734	NONE	NONE	USE
R735	NONE	NONE	USE
R736	NONE	NONE	USE
R737	NONE	NONE	USE
R738	NONE	NONE	USE
R739	NONE	NONE	USE
R740	NONE	NONE	USE
R741	NONE	NONE	USE
R742	NONE	NONE	USE
R743	NONE	NONE	USE
R744	NONE	NONE	USE
R745	NONE	NONE	USE
R746	NONE	NONE	USE
R747	NONE	NONE	USE
R748	NONE	NONE	USE
R749	NONE	NONE	USE
R750	NONE	NONE	USE

MARK LIST RES

J/C/US/A	E/EN/VEY
CN703	NONE
R781	NONE
R782	NONE
R783	NONE
R784	NONE
R785	NONE
R786	NONE
R787	NONE
R788	NONE
R789	NONE
R790	NONE
R791	NONE
R792	NONE
R793	NONE
R794	NONE
R795	NONE
R796	NONE
R797	NONE
R798	NONE
R799	NONE
R800	NONE
R801	NONE
R802	NONE
R803	NONE
R804	NONE
R805	NONE
R806	NONE
R807	NONE
R808	NONE
R809	NONE
R810	NONE
R811	NONE
R812	NONE
R813	NONE
R814	NONE
R815	NONE
R816	NONE
R817	NONE
R818	NONE
R819	NONE
R820	NONE
R821	NONE
R822	NONE
R823	NONE
R824	NONE
R825	NONE
R826	NONE
R827	NONE
R828	NONE
R829	NONE
R830	NONE
R831	NONE
R832	NONE
R833	NONE
R834	NONE
R835	NONE
R836	NONE
R837	NONE
R838	NONE
R839	NONE
R840	NONE
R841	NONE
R842	NONE
R843	NONE
R844	NONE
R845	NONE
R846	NONE
R847	NONE
R848	NONE
R849	NONE
R850	NONE
R851	NONE
R852	NONE
R853	NONE
R854	NONE
R855	NONE
R856	NONE
R857	NONE
R858	NONE
R859	NONE
R860	NONE
R861	NONE
R862	NONE
R863	NONE
R864	NONE
R865	NONE
R866	NONE
R867	NONE
R868	NONE
R869	NONE
R870	NONE
R871	NONE
R872	NONE
R873	NONE
R874	NONE
R875	NONE
R876	NONE
R877	NONE
R878	NONE
R879	NONE
R880	NONE
R881	NONE
R882	NONE
R883	NONE
R884	NONE
R885	NONE
R886	NONE
R887	NONE
R888	NONE
R889	NONE
R890	NONE
R891	NONE
R892	NONE
R893	NONE
R894	NONE
R895	NONE
R896	NONE
R897	NONE
R898	NONE
R899	NONE
R900	NONE

MARK LIST AV COMPLINK

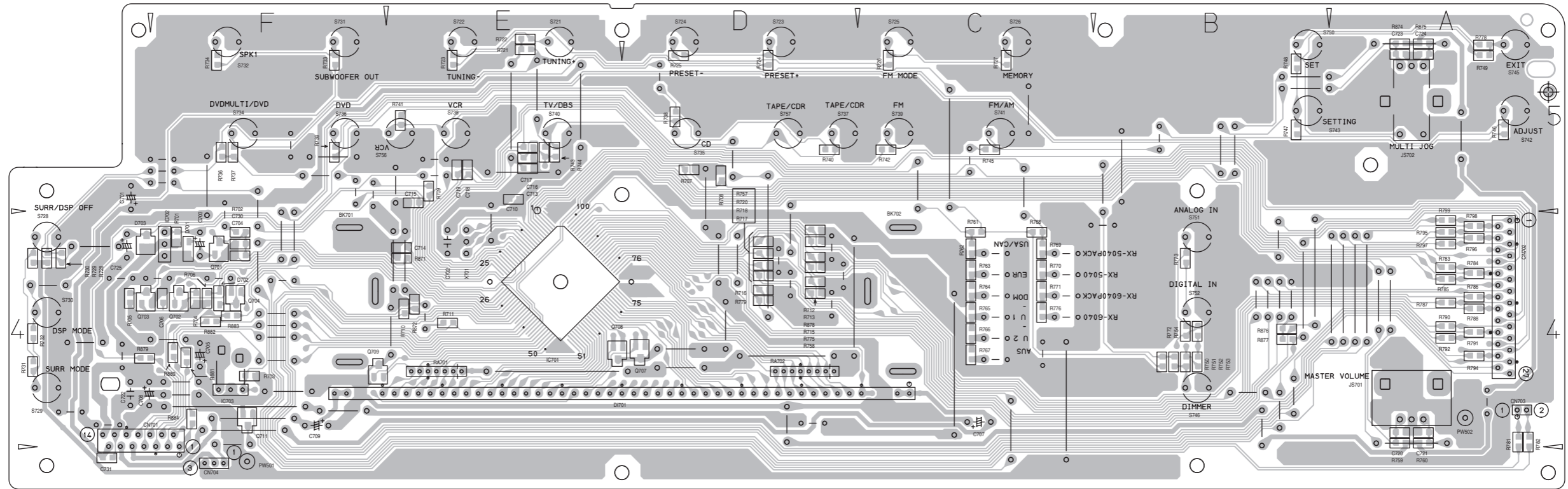
J/C/US/A	E/EN/VEY
R705	USE
D709	USE
G704	USE

LVA10464-3

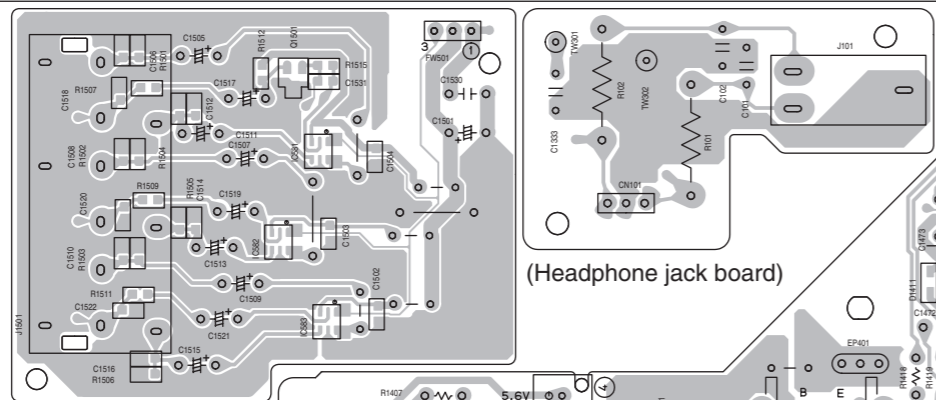


■ Front board

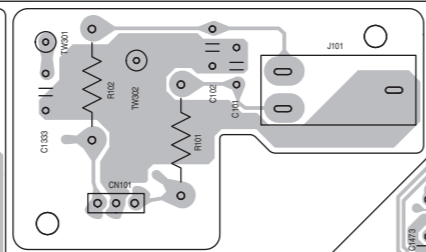
(System control board)



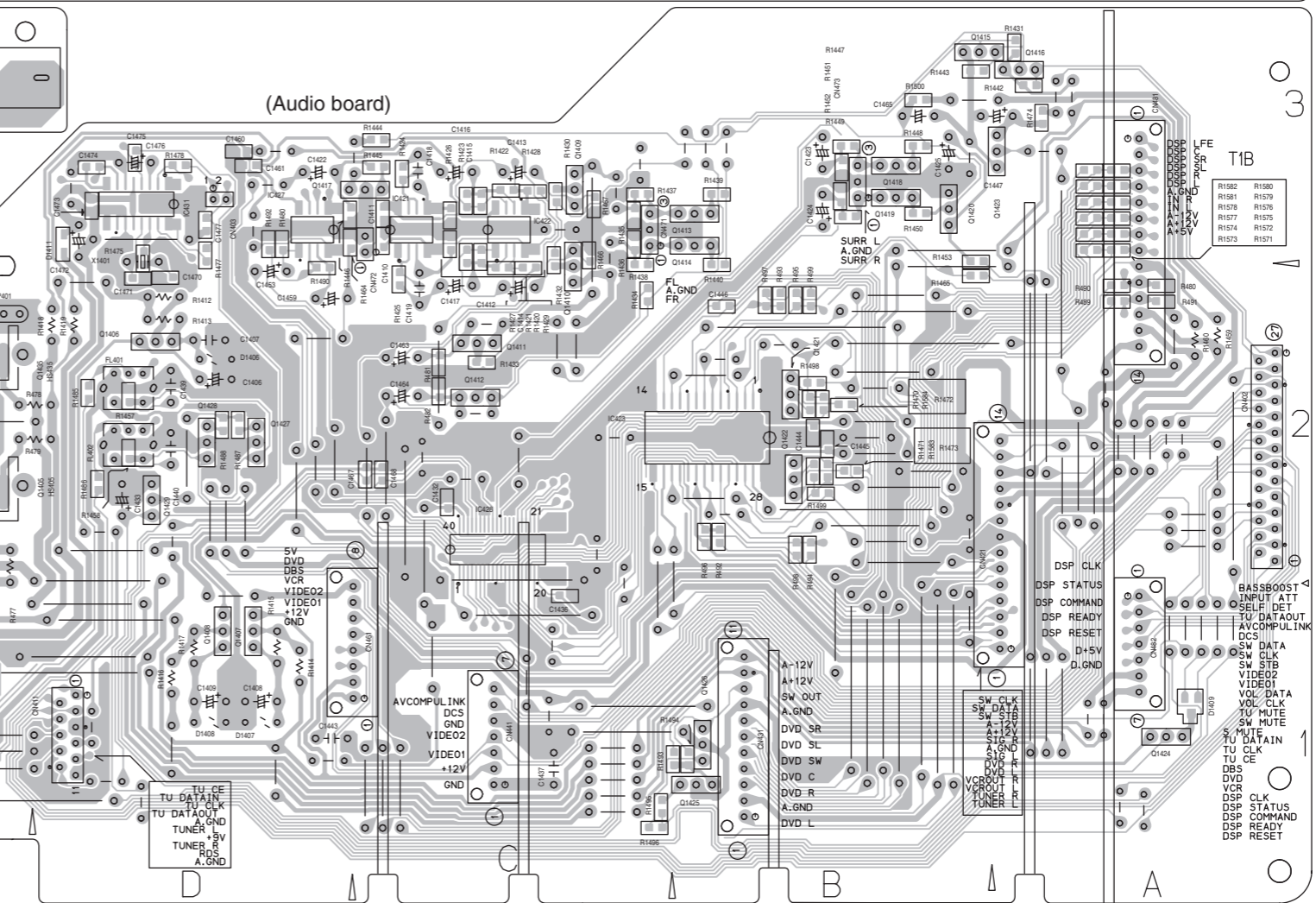
(Component board)



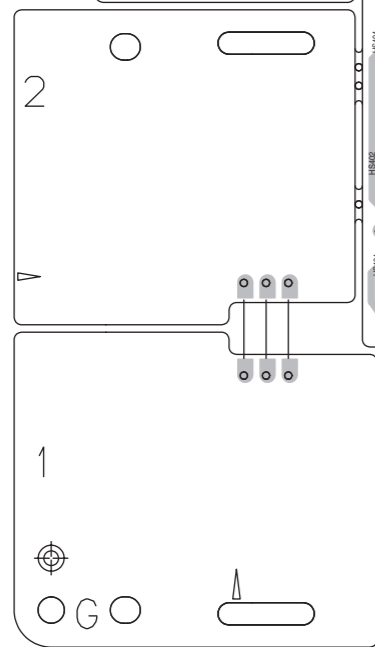
(Headphone jack board)



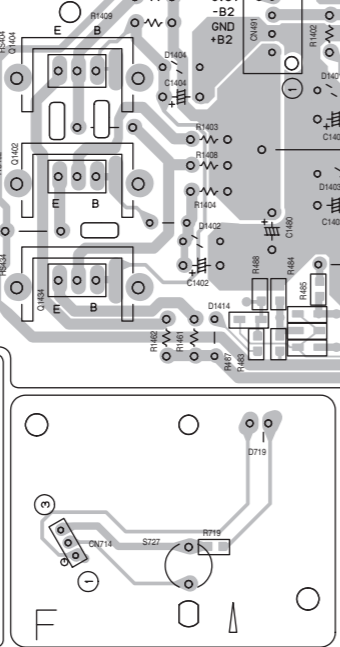
(Audio board)



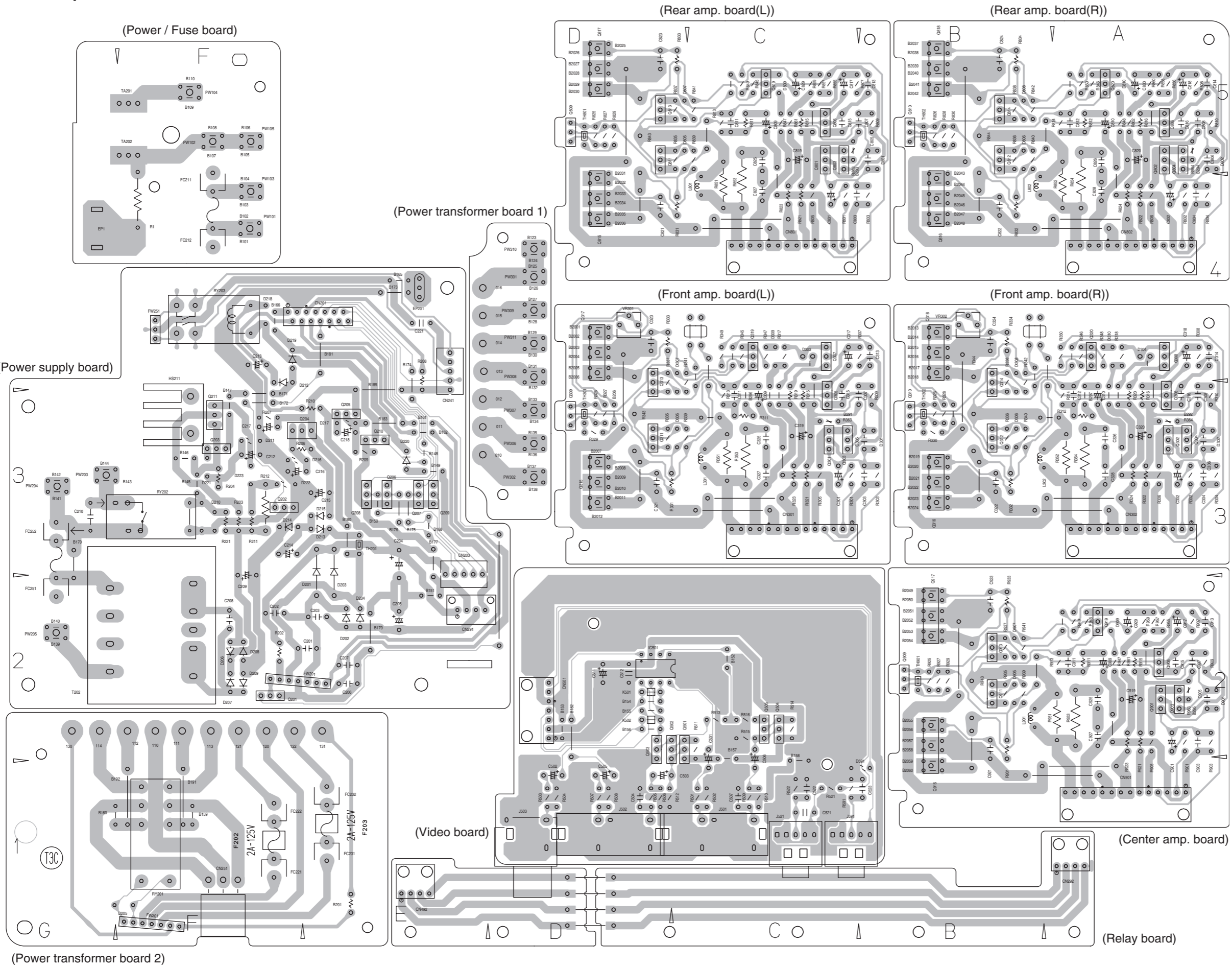
(Wire protection board 2)



(Power switch board)

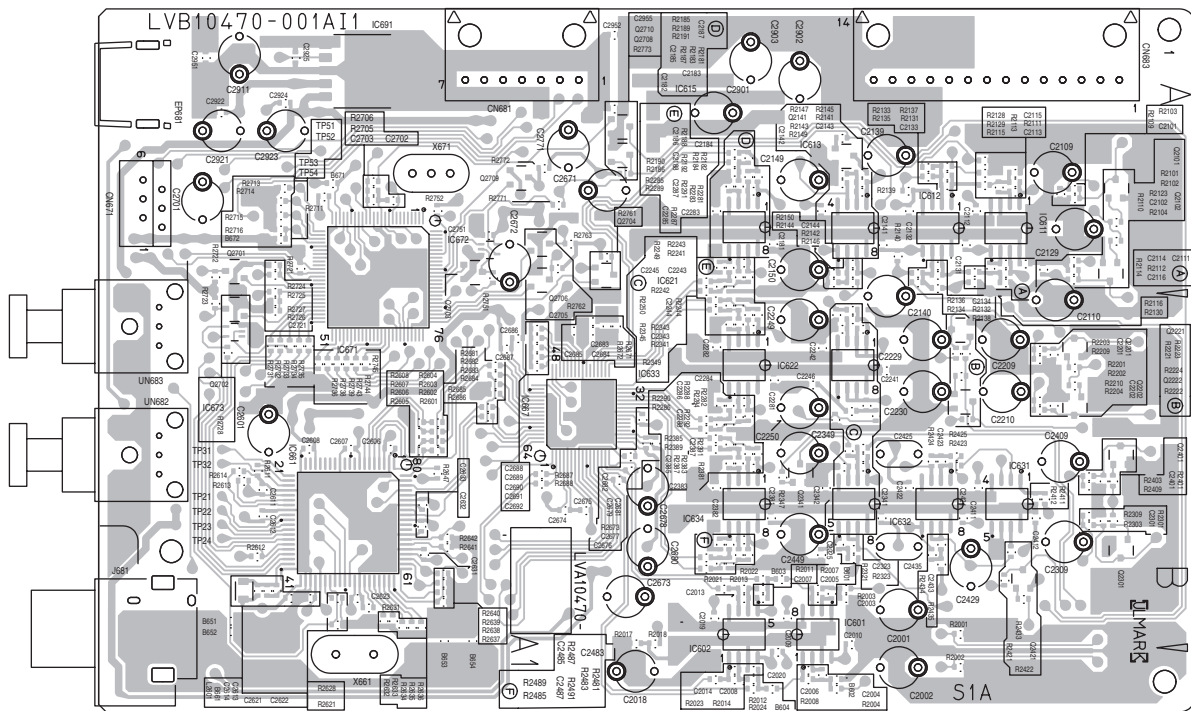


■ Power amp. board

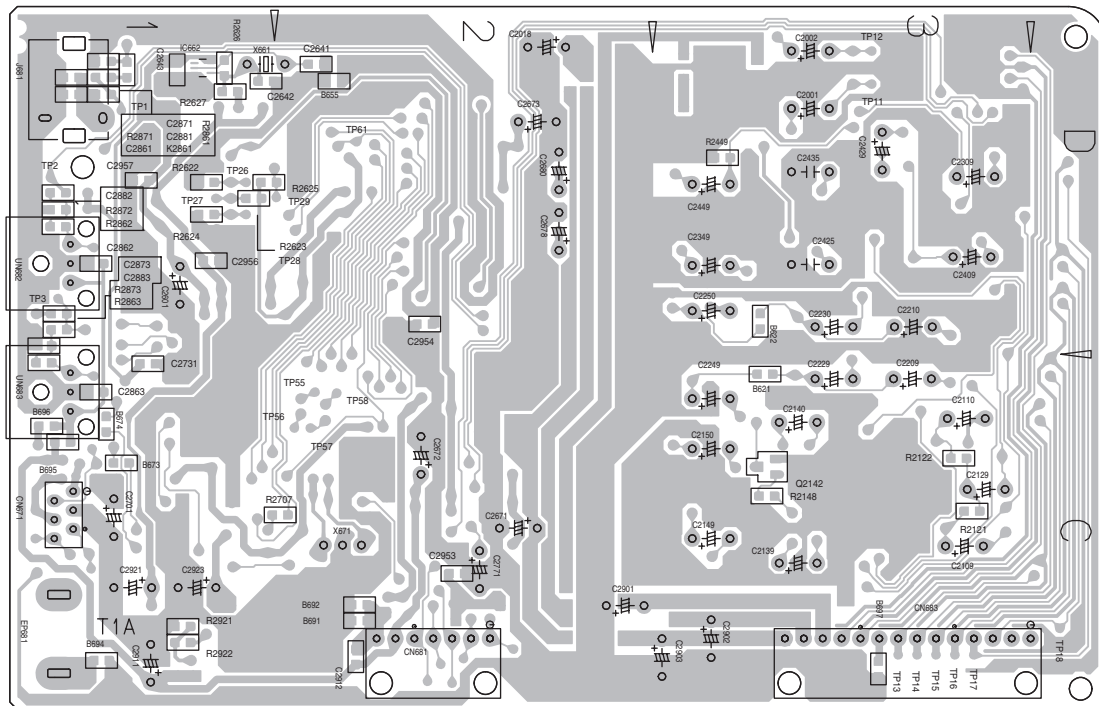


■ DSP board

Forward side



Reverse side



**JVC**

**VICTOR COMPANY OF JAPAN, LIMITED**

AV & MULTIMEDIA COMPANY AUDIO/VIDEO SYSTEMS CATEGORY 10-1, 1chome, Ohwatari-machi, Maebashi-city, 371-8543, Japan

(No.MB167SCH)



Printed in Japan  
WPC